

Steam Traps

FTV-270 1 1/2" & 2"

Float & Thermostatic Traps

SF International reserves the right to change the designs and/or materials of its products without notice, ©2013 SF International



FTV-270 is a Ball float steam trap designed to remove condensate from steam and it is recommended for high condensate flow equipments such as evaporators, drying cylinders, air dryers, etc. It can be supplied with Air Vent (EAR) Release as standard or Steam Lock Release (SLR) as optional. It can be easily maintained even when installed, its discharge orifices below the condensate level of steam trap prevent trap against live steam leakage. It can be supplied with screwed connections BSPT (BS 21) or NPT (ANSI-B1.20.1). Flanges according to ANSI-B16.5 class. Contact factory for other connection options.



FEATURES

| | |
|----------------------------|---------------------------------|
| Product Family | FTV-270 |
| Sizes | 1 1/2" and 2" |
| Connections | Screwed, Flanged |
| Body Material | GGG 40.3 Ductile Iron |
| Options | SLR - Steam Lock Release |
| PMO Max. Oper. Pressure | 250 psig |
| TMO Max. Oper. Temperature | 425 °F |

AVAILABLE MODELS

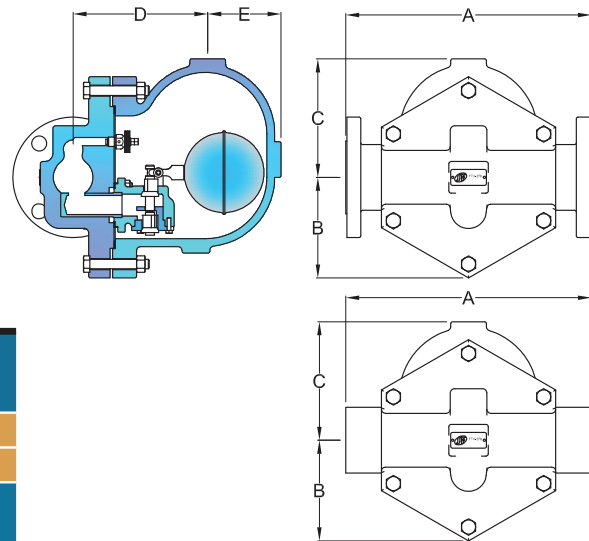
- FTV-271: Max. differential pressure 199 psig
- FTV-272: Max. differential pressure 142 psig
- FTV-273: Max. differential pressure 64 psig

HOW TO ORDER

Specify:

- Model
- Sizes and type of connection

Example: 1 SF International Float Trap model FTV-271 1 1/2" body with BSP connections and SLR.



DIMENSIONS & WEIGHT (INCHES & POUNDS)

| DN | A | B | C | D | E | Weight | |
|--------|-------|-------|---------|------|------|--------|--------|
| 1 1/2" | 10.63 | 4.65 | 5.31 | 6.38 | 3.35 | 44.09 | |
| 2" | 11.89 | 5.00 | 5.91 | 6.61 | 3.62 | 66.14 | |
| DN | A | | B | C | D | E | Weight |
| | 150# | 300# | Flanged | | | | |
| 1 1/2" | 12.28 | 12.28 | 4.65 | 5.31 | 6.38 | 3.35 | 44.09 |
| 2" | 12.64 | 12.87 | 5.00 | 5.91 | 6.61 | 3.62 | 66.14 |

CAPACITY

| Model | Sizes | Orifices | DIFFERENTIAL PRESSURE - ΔP (psig) x Q (lb/h) | | | | | | | | | | | |
|---------|--------|-------------|--|--------|--------|--------|--------|--------|--------|--------|--------|--------|--------|--------|
| | | | 2 | 5 | 10 | 15 | 20 | 30 | 50 | 60 | 101 | 142 | 175 | 202 |
| FTV-271 | 1 1/2" | 0.50 / 0.53 | 1,107 | 1,715 | 2,388 | 2,899 | 831 | 999 | 1,259 | 1,367 | 1,720 | 2,035 | 2,213 | 2,352 |
| FTV-271 | 2" | 0.69 / 0.71 | 2,205 | 3,422 | 4,773 | 5,798 | 6,658 | 8,089 | 10,335 | 11,281 | 14,416 | 17,229 | 18,856 | 20,106 |
| FTV-272 | 1 1/2" | 0.56 / 0.60 | 1,726 | 2,672 | 4,513 | 5,179 | 6,283 | 8,016 | 8,746 | 11,158 | 13,323 | - | - | - |
| FTV-272 | 2" | 0.81 / 0.85 | 4,751 | 7,357 | 10,238 | 12,425 | 14,253 | 17,295 | 22,068 | 24,074 | 30,719 | 36,676 | - | - |
| FTV-273 | 1 1/2" | 0.68 / 0.75 | 3,494 | 5,410 | 7,529 | 9,136 | 10,481 | 12,718 | 16,228 | 17,703 | - | - | - | - |
| FTV-273 | 2" | 1.06 / 1.10 | 11,810 | 18,283 | 25,448 | 30,878 | 35,419 | 42,979 | 54,836 | 60,142 | - | - | - | - |

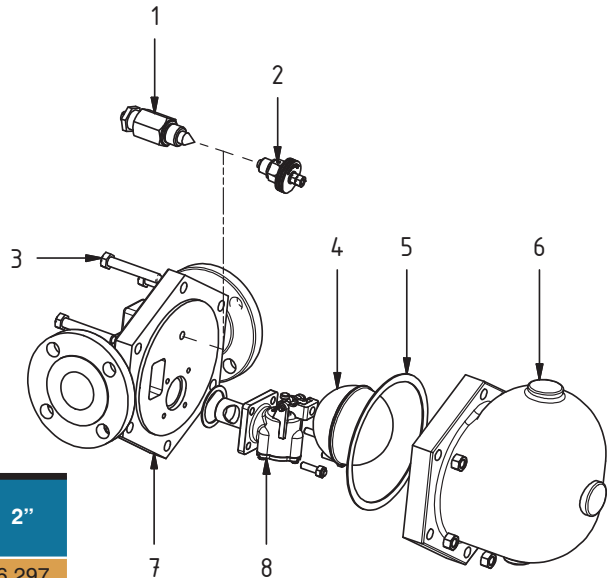


FTV-270 1 1/2" & 2"

Float & Thermostatic Traps

COMPONENTS AND MATERIALS

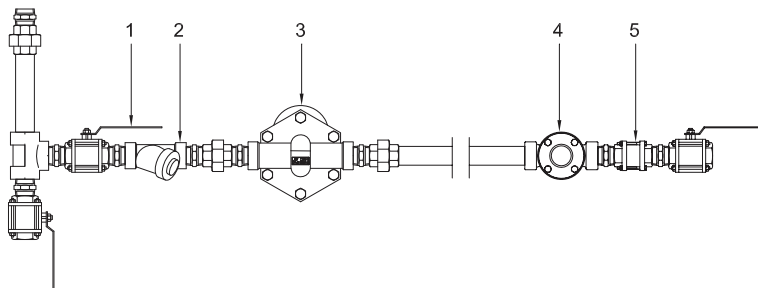
| Pos. | Description | Material |
|------|--------------------|--------------------------|
| 1 | Air Vent | AISI 304 SS |
| 2 | Steam Lock Release | AISI 304 SS |
| 3 | Head Screw | Carbon Steel 8.8 fosfate |
| 4 | Float Assy | AISI 304 SS |
| 5 | Gasket | Non asbestos |
| 6 | Body | GGG 40.3 Ductile Iron |
| 7 | Cover | GGG 40.3 Ductile Iron |
| 8 | Mechanism Assy | AISI 304 SS |



HOW TO ORDER SPARE PARTS

| Model | Description | Pos. | 1 1/2" | 2" |
|--------|-------------------------|------|--------|-------|
| FTV271 | Mechanism | 8 | 6,296 | 6,297 |
| | Float | 4 | 6,303 | 6,303 |
| | Gasket | 5 | 6,310 | 6,310 |
| | Air Vent Assy | 1 | 2,320 | 2,320 |
| | Steam Lock Release Assy | 2 | 6,322 | 6,308 |
| FTV272 | Mechanism | 8 | 6,298 | 6,299 |
| | Float | 4 | 6,303 | 6,303 |
| | Gasket | 5 | 6,310 | 6,310 |
| | Air Vent Assy | 1 | 2,320 | 2,320 |
| | Steam Lock Release Assy | 2 | 6,322 | 6,308 |
| FTV273 | Mechanism | 8 | 6,300 | 6,301 |
| | Float | 4 | 6,303 | 6,303 |
| | Gasket | 5 | 6,310 | 6,310 |
| | Air Vent Assy | 1 | 2,320 | 2,320 |
| | Steam Lock Release Assy | 2 | 6,322 | 6,308 |

TYPICAL INSTALLATION



| Title: | |
|--------|-------------|
| 1 | Stop Valve |
| 2 | Y Strainer |
| 3 | Steam Trap |
| 4 | Sight Glass |
| 5 | Check Valve |

PRODUCT DISPOSAL

This product is totally recyclable. No ecological hazard is anticipated with the disposal of this product.

SAFETY, INSTALLATION AND MAINTENANCE

For safety, installation and maintenance information see instructions supplied with the product (MI-0102-46).