

Steam Traps

FTV-370 1"

Float & Thermostatic Traps

SF International reserves the right to change the designs and/or materials of its products without notice, ©2013 SF International



FTV-370 is a Ball Float steam trap designed to remove condensate from steam and it is recommended for high condensate flow equipments such as evaporators, drying cylinders, air dryers, etc. It can be supplied with Air Vent (EAR) as standard or Steam Lock Release (SLR) as optional. It can be easily maintained even when installed, its discharge orifices below the condensate level of steam trap prevent trap against live steam leakage. It can be supplied with screwed connections BSPT (BS 21) or NPT (ANSI-B1.20.1). Flanges according to ANSI-B16.5 class. Contact factory for other connection options.



FEATURES

Product Family	FTV-370
Sizes	1"
Connections	Screwed, Flanged
Body Material	ASTM A 216 WCB CS
Options	SLR - Steam Lock Release
PMO Max. Oper. Pressure	455 psig
TMO Max. Oper. Temperature	459 °F

AVAILABLE MODELS

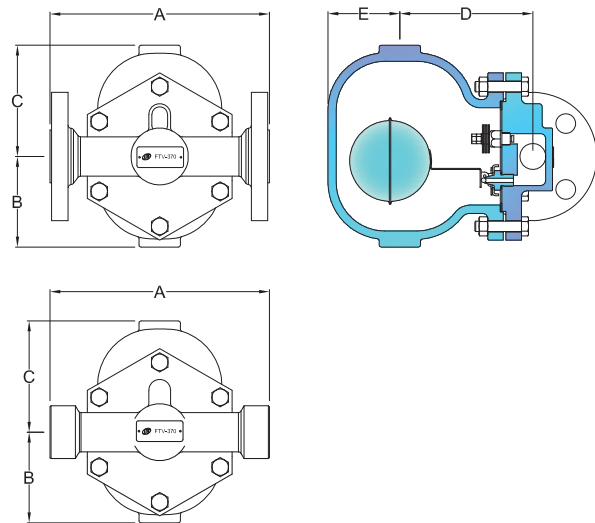
FTV-370: Max. differential pressure 455 psig

HOW TO ORDER

Specify:

- Model
- Sizes and type of connection

Example: 1 SF International Float Trap model FTV-370 1" body with BSP connections and SLR.



DIMENSIONS & WEIGHT (INCHES & POUNDS)

DN	A	B	C	D	E	Weight	
1"	7.76	5.00	4.72	4.21	7.68	22.04	
DN	A	B	C	D	E	Weight	
	150#	300#	Flanged				
1"	7.76	5.00	7.28	8.07	4.21	7.68	24.08

CAPACITY

Orifice	DIFFERENTIAL PRESSURE - ΔP (psig) x Q (lb/h)														
	2	5	10	15	20	30	50	60	101	142	175	202	299	351	455
3.2	176	273	379	459	527	639	814	886	1,131	1,349	1,475	1,572	1,905	2,050	2,348

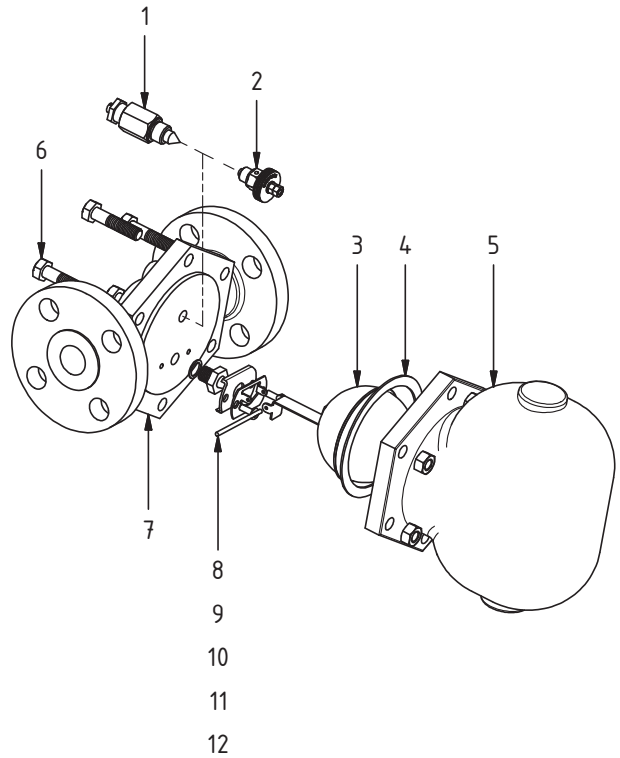


FTV-370 1"

Float & Thermostatic Traps

COMPONENTS AND MATERIALS

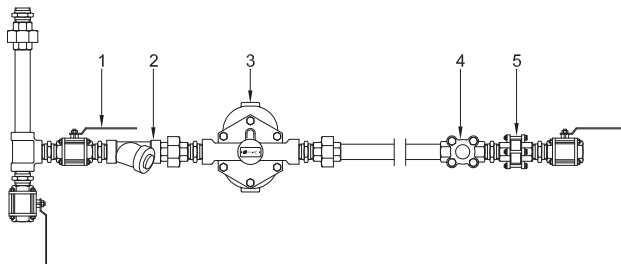
Pos.	Description	Material
1	Steam Lock Release	AISI 304 SS
2	Air Vent Assy	AISI 304 SS
3	Float Assy	AISI 304 SS
4	Gasket	Copper
5	Body	ASTM A 216 WCB CS
6	Bolts	Carbon Steel 8.8
7	Cover	ASTM A 216 WCB CS
8	Seat Support	AISI 304 SS
9	Lever Support	AISI 304 SS
10	Stem	AISI 304 SS
11	Seat	AISI 304 SS
12	Round Screw	AISI 304 SS



HOW TO ORDER SPARE PARTS

Model	Description	Pos.	1"
FTV371	Seat Assy	8, 9, 10, 11, 12	9,809
	Float	3	2,280
	Gasket	4	9,814
	Air Vent Assy	2	2,320
	Steam Lock Release Assy	1	10,895
FTV372	Seat Assy	8, 9, 10, 11, 12	9,808
	Float	3	1,253
	Gasket	4	9,814
	Air Vent Assy	2	2,320
	Steam Lock Release Assy	1	10,895
FTV373	Seat Assy	8, 9, 10, 11, 12	9,807
	Float	3	1,255
	Gasket	4	9,814
	Air Vent Assy	2	2,320
	Steam Lock Release Assy	1	10,895

TYPICAL INSTALLATION



Title:	
1	Stop Valve
2	Y Strainer
3	Steam Trap
4	Sight Glass
5	Check Valve

PRODUCT DISPOSAL

This product is totally recyclable. No ecological hazard is anticipated with the disposal of this product.

SAFETY, INSTALLATION AND MAINTENANCE

For safety, installation and maintenance information see instructions supplied with the product (MI-0102-47).