

Pressure Reducing 3000 SERIES Regulating Valve

SF International reserves the right to change the designs and/or materials of its products without notice, ©2013 SF International



3000 Series is a regulating valve designed for extremely accurate control of pressure and temperature in steam service applications. 3000 Series can be made of Ductile-iron or Carbon Steel for extended pressure and temperature ratings. This regulator uses several different control pilots, which can be attached to the valve to control pressure, temperature, or a combination of both. The different control pilots can be added or removed from the regulator body. This modular design adds versatility to this product. It can be supplied with screwed connections BSPT (BS 21) or NPT (ANSI-B1.20.1). Flanges according to ANSI-B16.5 or ANSI-B16.1. Contact factory for other connection options.



FEATURES

| | | |
|----------------------------|---|-------------|
| Model | 3000 Series | |
| Sizes | 1/2" - 2" | 2 1/2" - 4" |
| Connections | Screwed | Flanged |
| Application | Steam, Water, Gases | |
| Body Material | GGG 40.3 Ductile Iron 216 WCB Carbon Steel | |
| Option | Reduced Port Trim | |
| PMO Max. Oper. Pressure | Ductile Iron | 250 psig |
| TMO Max. Oper. Temperature | Ductile Iron | 450°F |
| PMO Max. Oper. Pressure | Carbon Steel | 293 psig |
| TMO Max. Oper. Temperature | Carbon Steel | 600°F |

PILOT COMBINATIONS

| Model | Application | Combination |
|-----------|---|---|
| 3010MP | Pressure Reducing | Valve + MP Pilot |
| 3100 | On - Off | Valve + Solenoid Pilot |
| 3110MPE | Pressure Reducing + On - Off | Valve + MP Pilot + Solenoid Valve |
| 3130ET | On - Off + Temperature Control | Valve + Solenoid Pilot + PID + CP100 + PT100 |
| 3190 MPET | Pressure Reducing + Temperature Control | Valve + Solenoid + MP Pilot + PID + CP100 + PT100 |
| 3010MBP | Pressure Relief | Valve + MBP Pilot |

HOW TO ORDER

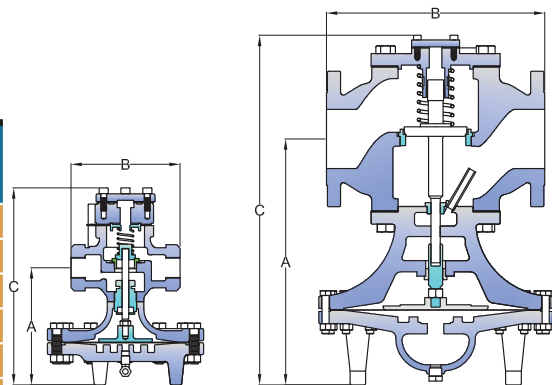
Specify:

- Model
- Sizes and type of connection

Example: 1 SF International 3000 Series Regulating Valve with 1 1/2" body and BSPT connections.

DIMENSIONS & WEIGHT (INCHES & POUNDS)

| DN | A | B Screw | ANSI B16.1 | | ANSI B16.5 | | C | Weight |
|--------|-------|------------|------------|-------|------------|-------|-------|--------|
| | | | 125# | 250# | 150# | 300# | | |
| 1/2" | 6.30 | 5.51 | - | - | - | - | 19.49 | 26.01 |
| 3/4" | 6.30 | 5.51 | - | - | - | - | 19.49 | 26.01 |
| 1" | 7.28 | 5.94 | - | - | - | - | 19.69 | 34.17 |
| 1 1/4" | 7.28 | 7.28 | - | - | - | - | 20.47 | 38.58 |
| 1 1/2" | 7.28 | 7.28 | - | - | - | - | 20.47 | 38.58 |
| 2" | 8.07 | 8.50 | - | - | - | - | 22.83 | 62.83 |
| 2 1/2" | 14.25 | - | 10.79 | 11.10 | 10.79 | 11.10 | 28.74 | 149.91 |
| 3" | 14.65 | - | 11.22 | 11.22 | 11.22 | 11.22 | 28.74 | 181.88 |
| 4" | 16.34 | - | 14.53 | 14.53 | 14.57 | 14.57 | 31.89 | 252.43 |

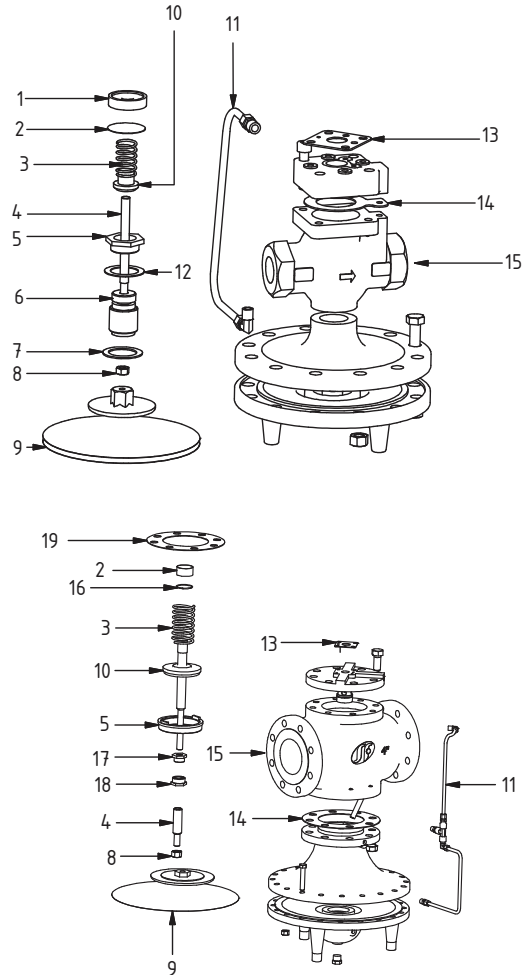




Pressure Reducing 3000 SERIES Regulating Valve

COMPONENTS AND MATERIALS

| Pos. | Description | Material |
|------|-------------------------|-------------------------------------|
| 1 | Main Valve Spring Guide | AISI 420 SS |
| 2 | Screen | AISI 304 SS |
| 3 | Main Valve Return Guide | Spring Steel |
| 4 | Valve Stem | AISI 304 SS |
| 5 | Valve Seat | AISI 420 SS |
| 6 | Coupling | AISI 420 SS |
| 7 | Coupling Seat | AISI 420 SS |
| 8 | Stem Lock-nut | AISI 304 SS |
| 9 | Diaphragm | AISI 301 SS |
| 10 | Seat Head | AISI 420 SS |
| 11 | Sensing Pipe | AISI 420 SS |
| 12 | Seat Gasket | Non Asbestos |
| 13 | Cover Gasket | Non Asbestos |
| 14 | Body Gasket | Non Asbestos |
| 15 | Body | GGG 40.3 Ductile Iron 216 WCB CS |
| 16 | Screen Ring | AISI 420 SS |
| 17 | Stem Guide | AISI 304 SS |
| 18 | Lower Stem Guide | AISI 420 SS |
| 19 | Gasket | Non Asbestos |



HOW TO ORDER SPARE PARTS (CODE)

| Model | Description | Pos. | 1/2" | 3/4" | 1" | 1 1/4" | 1 1/2" | 2" | 2 1/2" | 3" | 4" |
|-------------|--------------------|-------|--------|--------|--------|--------|--------|--------|--------|--------|--------|
| 3000 Series | Stem Assy | 4 | 6,428 | 6,428 | 6,430 | 6,432 | 6,432 | 6,433 | 12,563 | 11,970 | 11,122 |
| | Diaphragm Assy | 9 | 15,181 | 15,181 | 14,315 | 14,315 | 14,315 | 15,182 | 8,773 | 8,773 | 15,180 |
| | Seat Gasket | 12 | 6,434 | 6,434 | 6,436 | 6,438 | 6,438 | 6,439 | 11,031 | 12,574 | 11,038 |
| | Return Spring Assy | 3 | 6,434 | 6,454 | 6,454 | 6,456 | 6,456 | 6,457 | 11,345 | 11,345 | 11,115 |
| | Sensing Pipe Assy | 11 | 6,458 | 6,458 | 6,460 | 6,462 | 6,462 | 6,463 | 11,366 | 12,611 | 9,698 |
| Seat Assy | 5 | 6,422 | 6,423 | 6,424 | 6,425 | 6,426 | 6,427 | 12,432 | 11,874 | 11,123 | |

REGULATING

INSTALLATION INSTRUCTIONS

This valve should be installed in a horizontal pipeline with the direction of flow as indicated by the arrow on the valve body.

SAFETY, INSTALLATION AND MAINTENANCE

For safety, installation and maintenance information see instructions supplied with the product (MI-0728-11).