

# Steam Traps

# STT-22

## Thermostatic Steam Trap

SF International reserves the right to change the designs and/or materials of its products without notice, ©2013 SF International



STT-22 is a balanced pressure thermostatic steam trap manufactured in stainless steel. It has an internal thermostatic capsule (S) for operation at approximately 18°F below steam saturation temperature. This type of trap is used to remove air from the ends of steam distribution lines or jacketed equipment. It can also be used to drain the condensate from steam and tracing lines with discharge to the atmosphere. It can be supplied with screwed connections BSPT (BS 21) or NPT (ANSI-B1.20.1). Contact factory for other connection options.

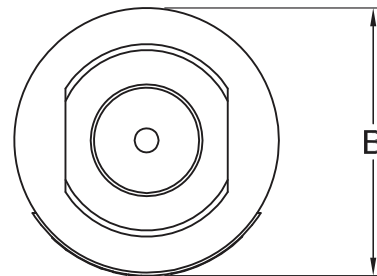


### FEATURES

Product Family	STT
Sizes	3/8", 1/2", 3/4", 1"
Connections	Screwed
Body Material	AISI 420 Stainless Steel
PMO Max. Oper. Pressure	313 psig
TMO Max. Oper. Temperature	482 °F

### AVAILABLE MODELS

STT-22

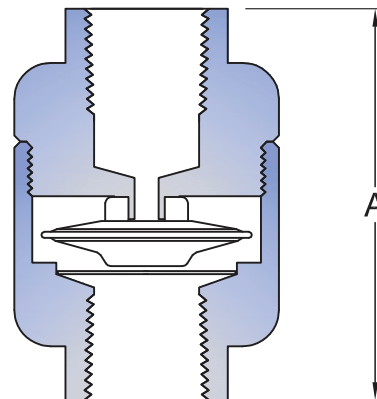


### HOW TO ORDER

Specify:

- Model
- Sizes and type of connection

**Example:** 1 SF International Thermostatic Steam Trap model STT-22 with 1/2" body and BSPT connections.



### DIMENSIONS & WEIGHT (INCHES & POUNDS)

DN	A	B	Weight
3/8"	1.73	2.55	1.10
1/2"	1.73	2.55	1.10
3/4"	1.73	2.55	1.10
1"	1.89	2.83	1.54

### CAPACITY

Size	DIFFERENTIAL PRESSURE - ΔP (psig) x Q (lb/h)													
	3	4	7	14	21	28	43	57	85	114	142	213	284	313
ALL	617	705	882	992	1,323	1,433	1,543	1,764	1,852	1,984	2,161	2,425	2,535	2,579

SF International reserves the right to change the designs and/or materials of its products without notice, ©2013 SF International



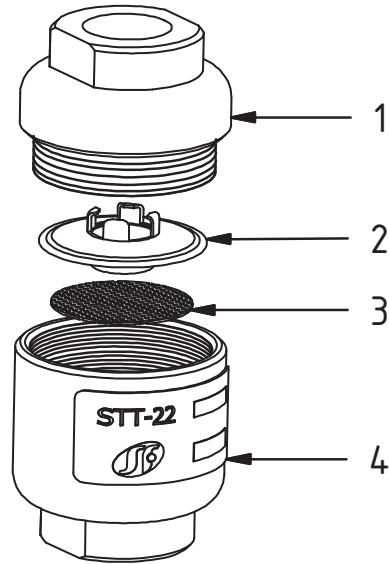
# Steam Traps

# STT-22

## Thermostatic Steam Trap

### COMPONENTS AND MATERIALS

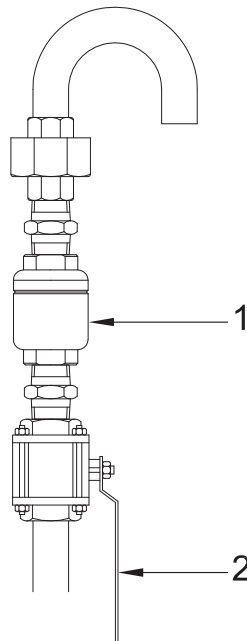
Pos.	Description	Material
1	Cover	AISI 420 SS
2	Thermostatic Capsule	AISI 304 SS
3	Screen	AISI 304 SS
4	Body	AISI 420 SS



### HOW TO ORDER SPARE PARTS

Model	Description	Pos.	1/2"	3/4"	1"
STT22	Thermostatic Capsule	2	21,684	21,684	21,684

### TYPICAL INSTALLATION



Title:	
1	Steam Trap
2	Stop Valve

### INSTALLATION INSTRUCTIONS

This Trap is designed for installation with capsule in a vertical line with the inlet at the top and outlet at the bottom.

### PRODUCT DISPOSAL

This product is totally recyclable. No ecological hazard is anticipated with the disposal of this product.

### SAFETY, INSTALLATION AND MAINTENANCE

For safety, installation and maintenance information see instructions supplied with the product (MI-0104-57).