

Steam Traps

FTV-140

Ball Float & Thermostatic Steam Trap

SF International reserves the right to change the designs and/or materials of its products without notice, ©2013 SF International



FTV-140 is a Ball Float steam trap designed to remove the condensate from steam, recommended for high condensate flow equipments such as evaporators, drying cylinders, air dryers, etc. It can be supplied with Air Vent (EAR) as standard or Steam Lock Release (SLR) as optional. It is available with horizontal connections with flow from left to right (L-R), from right to left (R-L) or with vertical connection (V), with flow downwards. It can be easily maintained even when installed, its discharge orifices below the condensate level of steam trap prevent trap against live steam leakage. It can be supplied with screwed connections BSPT (BS 21) or NPT (ANSI-B1.20.1). Flanges according to ANSI-B16.5 class. Contact our factory for other connection options.



FEATURES

Product Family	FTV-140
Sizes	1/2", 3/4" and 1"
Connections	SW, BW, Flanged
Body Material	GGG 40.3 Ductile Iron
Options	SLR - Steam Lock Release
PMO Max. Oper. Pressure	250 psig
TMO Max. Oper. Temperature	425 °F

AVAILABLE MODELS

- FTV-141: Max. differential pressure 199 psig
- FTV-142: Max. differential pressure 150 psig
- FTV-143: Max. differential pressure 64 psig

HOW TO ORDER

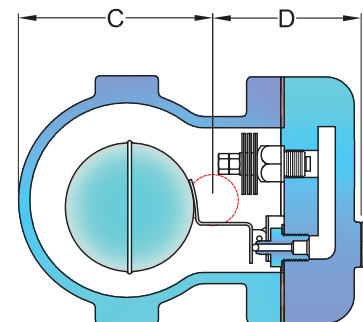
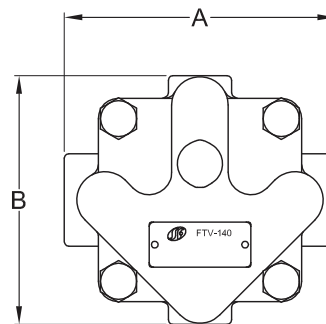
Specify:

- Model
- Sizes and type of connection
- Optional, if necessary

Example: 1 SF International Float Trap FTV-141 1/2" body with BSP connections and SLR.

DIMENSIONS & WEIGHT (INCHES & POUNDS)

DN	A	B	C	D	Weight
1/2"	5.12	4.33	3.78	2.68	8.60
3/4"	5.12	4.33	3.39	2.68	8.60
1"	5.12	4.33	3.78	2.68	16.09



CAPACITY

Model	Sizes	Orifices	DIFFERENTIAL PRESSURE - ΔP (psig) x Q (lb/h)											
			2	5	10	15	20	30	50	60	101	142	175	202
FTV-141	1/2", 3/4"	0.07	85	150	203	243	287	331	375	419	507	617	639	683
FTV-141	1"	0.13	134	265	331	375	441	507	639	705	882	992	1,058	1,102
FTV-142	1/2", 3/4"	0.10	121	220	287	353	397	463	573	639	772	882	-	-
FTV-142	1"	0.15	309	529	639	750	838	1,014	1,213	1,323	1,565	1,764	-	-
FTV-143	1/2", 3/4"	0.15	309	529	639	750	838	1,014	1,213	1,323	-	-	-	-
FTV-143	1"	0.22	661	1,080	1,323	1,543	1,676	1,984	2,425	2,756	-	-	-	-



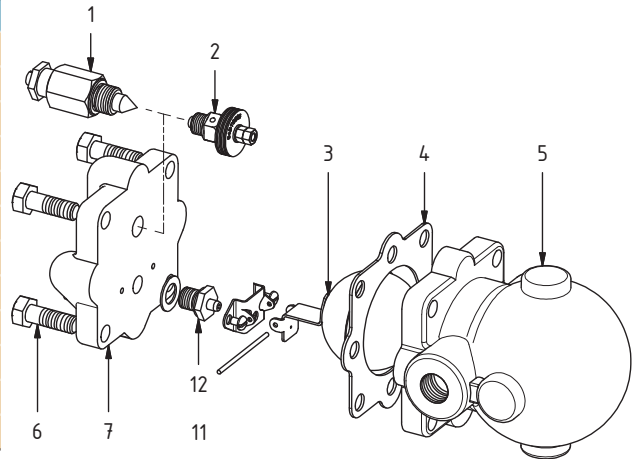
Steam Traps

FTV-140

Ball Float & Thermostatic Steam Trap

COMPONENTS AND MATERIALS

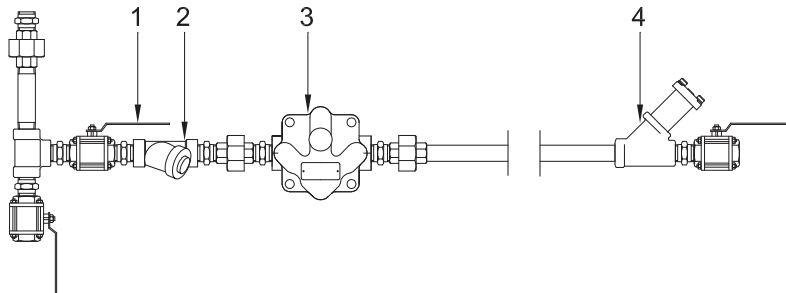
Pos.	Description	Material
1	Steam Lock Release	AISI 304 SS
2	Air Vent Release	AISI 304 SS
3	Lever and Float Assy	AISI 304 SS
4	Gasket	Graflex
5	Body	GGG 40.3 Ductile Iron
6	Hex Screw	Carbon Steel 8.8 fosfate
7	Cover	GGG 40.3 Ductile Iron
8	Seat	AISI 304 SS
9	Round Screw	AISI 304 SS
10	Seat Gasket	Copper
11	Stem	AISI 304 SS
12	Support	AISI 304 SS



HOW TO ORDER SPARE PARTS

Model	Description	Pos.	1/2"	3/4"	1"
FTV141	Seat Assy	8, 9, 10, 11, 12	15,787	15,787	15,466
	Float	3	15,782	15,782	15,784
	Gasket	4	6,282	6,282	6,282
	Air Vent Assy	2	2,320	2,320	2,320
	Steam Lock Release Assy	1	2,322	2,322	2,322
FTV142	Seat Assy	8, 9, 10, 11, 12	15,654	15,654	15,467
	Float	3	15,655	15,655	15,785
	Gasket	4	6,282	6,282	6,282
	Air Vent Assy	2	2,320	2,320	2,320
	Steam Lock Release Assy	1	2,322	2,322	2,322
FTV143	Seat Assy	8, 9, 10, 11, 12	15,788	15,788	15,468
	Float	3	15,783	15,783	15,786
	Gasket	4	6,282	6,282	6,282
	Air Vent Assy	2	2,320	2,320	2,320
	Steam Lock Release Assy	1	2,322	2,322	2,322

TYPICAL INSTALLATION



Title:	
1	Stop Valve
2	Y Strainer
3	Steam Trap
4	Sight Glass

PRODUCT DISPOSAL

This product is totally recyclable. No ecological hazard is anticipated with the disposal of this product.

SAFETY, INSTALLATION AND MAINTENANCE

For safety, installation and maintenance information see instructions supplied with the product (MI-0102-44).