

Pipeline Accessories

EA-250

Ductile Iron Air Eliminator

SF International reserves the right to change the designs and/or materials of its products without notice, ©2013 SF International



EA-250 is an air eliminator especially designed to remove air and non condensable from liquid lines and tanks, by means of a floating device. The floating device controls the seat opening, so to eliminate air that may compromise the circulation of liquid, cavitation in pumps, etc. It can be supplied with screwed connections BSPT (BS 21) or NPT (ANSI-B1.20.1).

ACCESSORIES

FEATURES

Product Family	EA
Sizes	1/2", 3/4", 1"
Connections	Screwed
Body Material	GGG 40.3 Ductile Iron
PMO Max. Oper. Pressure	299 psig
TMO Max. Oper. Temperature	450 °F
Min. Inlet Pressure	3.56 psig
Maximum Backpressure	80% of Operating Pressure

HOW TO ORDER

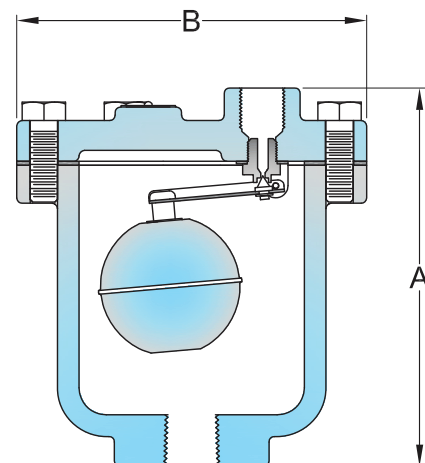
Specify: _____

- Model _____
- Sizes and type of connection _____

Example: 1 SF International Air Eliminator EA-250 with 1/2" body and BSPT connections.

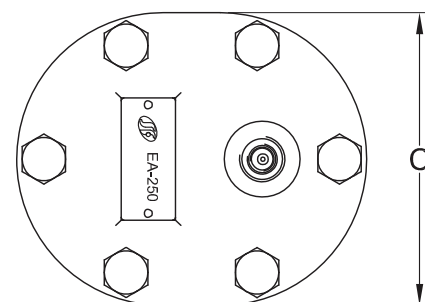
AVAILABLE MODELS

EA-250



DIMENSIONS & WEIGHT (INCHES & POUNDS)

DN	A	B	C	Weight
1/2"	3/8"	5.51	2.99	8.81
3/4"	3/8"	5.51	2.99	8.81
1"	3/8"	5.51	2.99	8.81



CAPACITY

Psig	Scf / min
25	1.6
50	2.7
75	3.7
100	4.8
125	5.8
150	6.9



Pipeline Accessories

EA-250

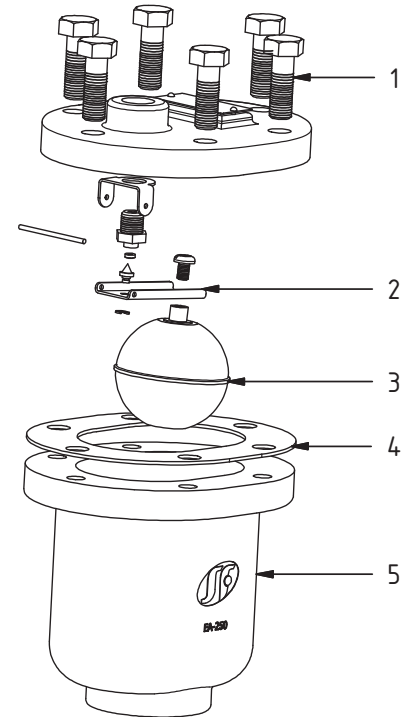
Ductile Iron Air Eliminator

COMPONENTS AND MATERIALS

Pos.	Description	Material
1	Hex. Screw	8.8 fosfate Carbon
2	Lever	GGG 40.3 Ductile Iron
3	Float	AISI 304
4	Gasket	Non Asbestos
5	Body	GGG 40.3 Ductile Iron

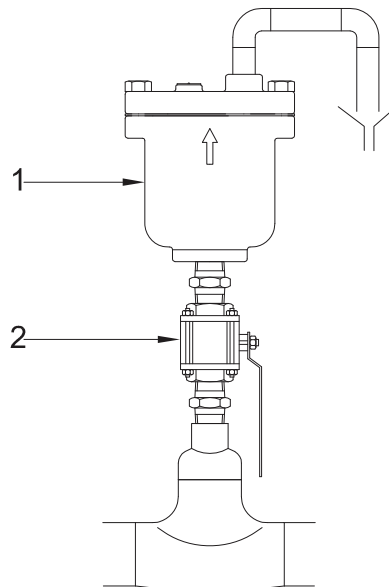
HOW TO ORDER SPARE PARTS

Model	Description	Pos.	1/2"	3/4"	1"
EA250	Cover Gasket	4	10,985	10,985	10,985
	Float Assy	3	8,370	8,370	8,370
	Mechanism Assy	2, 3	10,984	10,984	10,984



ACCESSORIES

TYPICAL INSTALLATION



Title:	
1	Air Eliminator
2	Stop Valve

PRODUCT DISPOSAL

This air eliminator should be installed vertically with the inlet at the bottom. Due to the way of air eliminator operates it all dribbles water when discharging air. This is perfectly normal. We recommend piping the discharge to drain via an air break.

SAFETY, INSTALLATION AND MAINTENANCE

For safety, installation and maintenance information see instructions supplied with the product (MI-0231-30).