

Air Traps

FTA-140

Ball Float Air Trap

SF International reserves the right to change the designs and/or materials of its products without notice, ©2013 SF International



AIR TRAPS

FTA-140 is a mechanical Float Trap designed for the drainage of compressed air and gases. As soon as condensate enters the main chamber of the trap, the float rises and the lever mechanism attached to it opens the main valve, keeping the system drained of condensate at all times. The opening and closing are performed by the float through condensate level. This float trap is insensitive to back pressure and is suitable for all working conditions within its specification. It can be supplied with screwed connections BSPT (BS 21) or NPT (ANSI-B1.20.1). Flanges according to ANSI-B16.5 class. Contact factory for other connection options. Cover to be suitable for tapping 3/8" for balance connection.



FEATURES

Product Family	FTA-140
Sizes	1/2" and 3/4"
Connections	Screwed, Flanged
Body Material	GGG 40.3 Ductile Iron
PMO Max. Oper. Pressure	250 psig
TMO Max. Oper. Temperature	425 °F

AVAILABLE MODELS

FTA-141: Max. differential pressure 199 psig

FTA-142: Max. differential pressure 149 psig

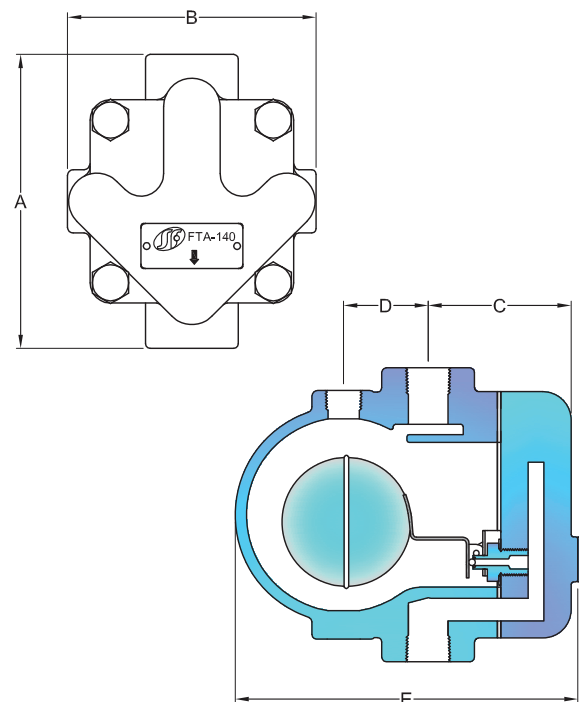
FTA-143: Max. differential pressure 64 psig

HOW TO ORDER

Specify:

- Model
- Sizes and type of connection

Example: 1 SF International Float Trap model FTA-141 for compressed air with 3/4" body and BSP connections.



DIMENSIONS & WEIGHT (INCHES & POUNDS)

DN	A	B	C	D	E	Weight
1/2"	5.12	4.33	2.68	1.46	5.91	8.60
3/4"	5.12	4.33	2.68	1.46	5.91	8.60

CAPACITY

Model	Sizes	Orifices	DIFFERENTIAL PRESSURE - ΔP (psig) x Q (lb/h)											
			2	5	10	15	20	30	50	60	101	142	175	202
FTA-141	1/2" & 3/4"	0.08	51	90	126	157	185	227	311	335	421	489	529	556
FTA-142	1/2" & 3/4"	0.11	139	201	278	331	386	476	602	653	829	904	-	-
FTA-143	1/2" & 3/4"	0.16	351	485	602	657	741	838	983	1,069	-	-	-	-



Air Traps

FTA-140

Ball Float Air Trap

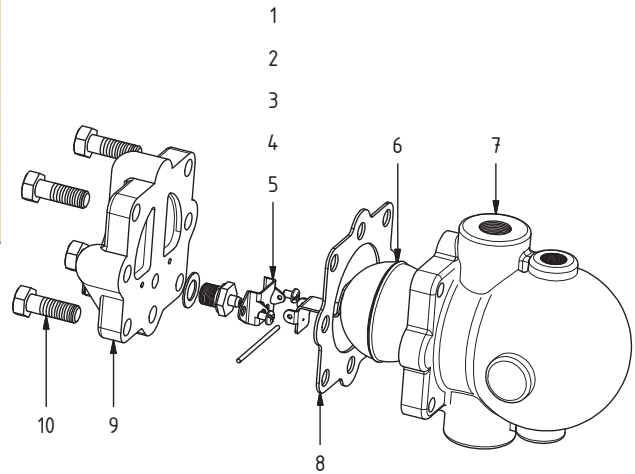
AIR TRAPS

COMPONENTS AND MATERIALS

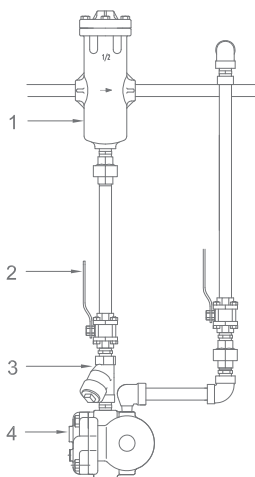
Pos.	Description	Material
1	Seat Gasket	Carbon Steel 8.8 fosfate
2	Support	AISI 304 SS
3	Stem	AISI 304 SS
4	Seat	AISI 304 SS
5	Round Screw	AISI 304 SS
6	Float & Lever Set	AISI 304 SS
7	Body	GGG 40.3 Ductile Iron
8	Cover Gasket	Graflex
9	Cover	GGG 40.3 Ductile Iron
10	Hex Screw	Carbon Steel 8.8 fosfate

HOW TO ORDER SPARE PARTS

Model	Description	Pos.	1/2"	3/4"
FTA141	Seat Assy	1, 2, 3, 4, 5	8,541	8,541
	Float	6	1,254	1,254
	Gasket	8	6,282	6,282
FTA142	Seat Assy	1, 2, 3, 4, 5	8,541	8,541
	Float	6	1,254	1,254
	Gasket	8	6,282	6,282
FTA143	Seat Assy	1, 2, 3, 4, 5	8,541	8,541
	Float	6	1,254	1,254
	Gasket	8	6,282	6,282



TYPICAL INSTALLATION



Title:	
1	Separator
2	Stop Valve
3	Y Strainer
4	Steam Trap

PRODUCT DISPOSAL

This product is totally recyclable. No ecological hazard is anticipated with the disposal of this product.

SAFETY, INSTALLATION AND MAINTENANCE

For safety, installation and maintenance information see instructions supplied with the product (MI-0102-43).