

Steam Traps

MSDT-420

Thermodynamic Steam Trap

SF International reserves the right to change the designs and/or materials of its products without notice, ©2013 SF International



MSDT-420 is a thermodynamic steam trap designed to remove condensate from steam mains and for those applications where the release of air is a concern. It is manufactured in stainless steel and all external surfaces have nickel plating treatment, which allows better thermal efficiency and superior lifecycle performance, even under severe corrosion and erosion conditions. Its hardened stainless steel disc ensures intermittent discharge with perfect shutoff. It is supplied with an integral strainer, which reduces the installation space and ensure long and trouble free operation. It can be supplied with screwed connections BSPT (BS 21) or NPT (ANSI-B1.20.1) and SW or BW Flanges according to ANSI-B16.5 class. Contact factory for other connection options.

N: Strainer Cap, D: Blowdown Valve.

FEATURES

Product Family	MSDT
Sizes	1/2", 3/4" and 1"
Connections	Screwed, Flanged
Body Material	ASTM A743 CA40F SS
Options	Insulated Cover
PMO Max. Oper. Pressure	598 psig
TMO Max. Oper. Temperature	842 °F
Min. Inlet Pressure	3.56 psig
Maximum Backpressure	80% of Operating Pressure

HOW TO ORDER

Specify:

- Model
- Sizes and type of connection
- Optional, if necessary

Example: 1 SF International Thermodynamic Steam Trap model MSDT-421N with 1/2" body and BSPT connections.

DIMENSIONS & WEIGHT (INCHES & POUNDS)

DN	A	B	C	Weight
1/2"	2.48	3.07	1.50	2.9
3/4"	3.07	3.62	1.65	3.7
1"	2.95	4.41	2.09	5.5

CAPACITY

Model	Sizes	DIFFERENTIAL PRESSURE - ΔP (psig) x Q (lb/h)											
		11	50	100	149	199	249	299	348	398	498	548	597
MSDT-420	1/2"	375	617	860	1,080	1,279	1,389	1,543	1,587	1,720	1,764	1,786	1,808
MSDT-420	3/4"	441	772	1,102	1,323	1,565	1,764	1,984	2,205	2,381	2,535	2,756	2,866
MSDT-420	1"	661	1,301	1,764	2,205	2,590	2,866	3,153	3,461	3,704	3,968	4,233	4,519

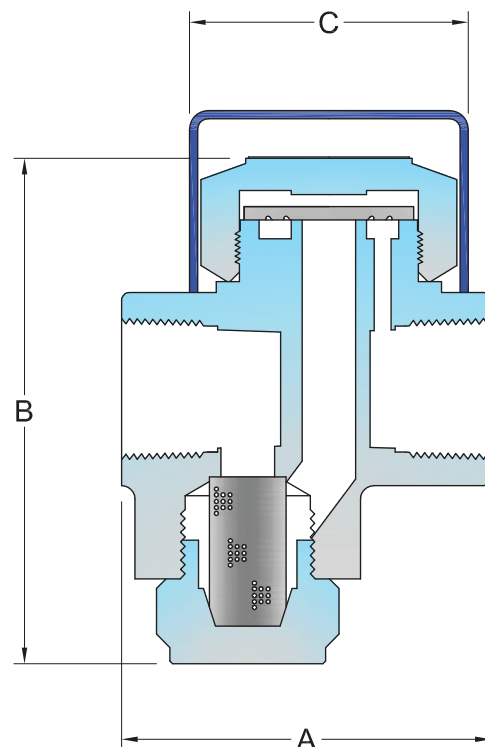


AVAILABLE MODELS

MSDT-421N / 421D: Saturated Steam

MSDT-422N / 422D: Superheated Steam

MSDT-423N / 423D: Compressed Air



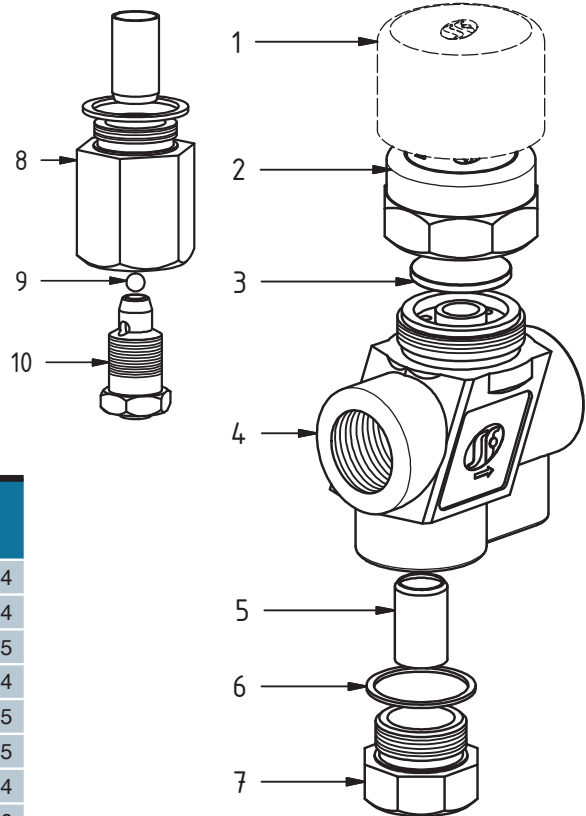


MSDT-420

Thermodynamic Steam Trap

COMPONENTS AND MATERIALS

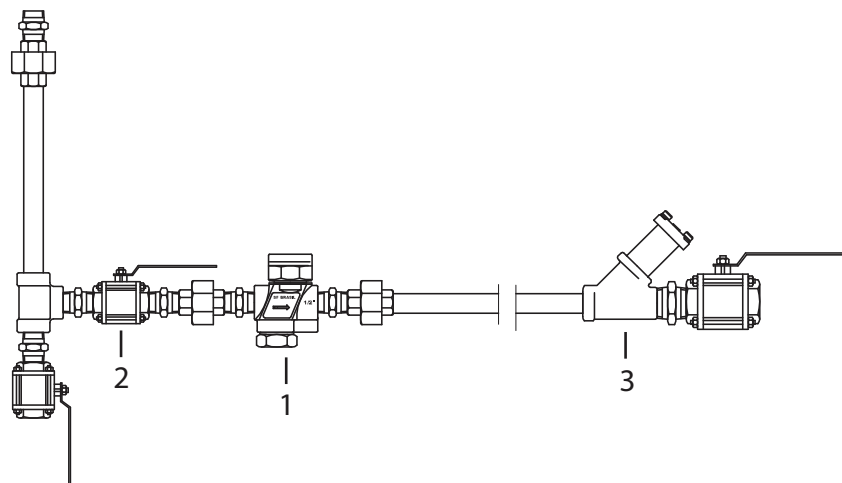
Pos.	Description	Material
1	Insulated Cover	Aluminium
2	Cover	ASTM A743 CA40F
3	Disc	AISI 420 SS
4	Body	ASTM A743 CA40F
5	Screen	AISI 304 SS (20 Mesh)
6	Gasket	Copper
7	Strainer Cap	ASTM A743 CA40F
8	Support (MSDT-D)	AISI 420 SS
9	Ball (MSDT-D)	AISI 420 SS
10	Stem (MSDT-D)	AISI 420 SS



HOW TO ORDER SPARE PARTS

Model	Description	Pos.	1/2"	3/4"	1"
421	Insulated Cover	1	16,991	16,992	16,994
	Disc	3	17,068	17,071	17,074
	Screen & Gasket Set	5, 6	17,028	17,033	17,035
422	Insulated Cover	1	16,991	16,992	16,994
	Disc	3	17,069	17,072	17,075
	Screen & Gasket Set	5, 6	17,028	17,033	17,035
423	Insulated Cover	1	16,991	16,992	16,994
	Disc	3	17,070	17,073	17,076
	Screen & Gasket Set	5, 6	17,028	17,033	17,035

TYPICAL INSTALLATION



Title:	
1	Steam Trap
2	Stop Valve
3	Sight Glass

PRODUCT DISPOSAL

This product is totally recyclable. No ecological hazard is anticipated with the disposal of this product.

SAFETY, INSTALLATION AND MAINTENANCE

For safety, installation and maintenance information see instructions supplied with the product (MI-0101-37).